

Cafe' Racer



SECTION

5

100 mm Radial CNC Caliper Kit . 484 Code 220B47310

Spare Parts • Ricambi

Spring / Molletta
120225579

Bleeding screw / Vite spurgo
05144011

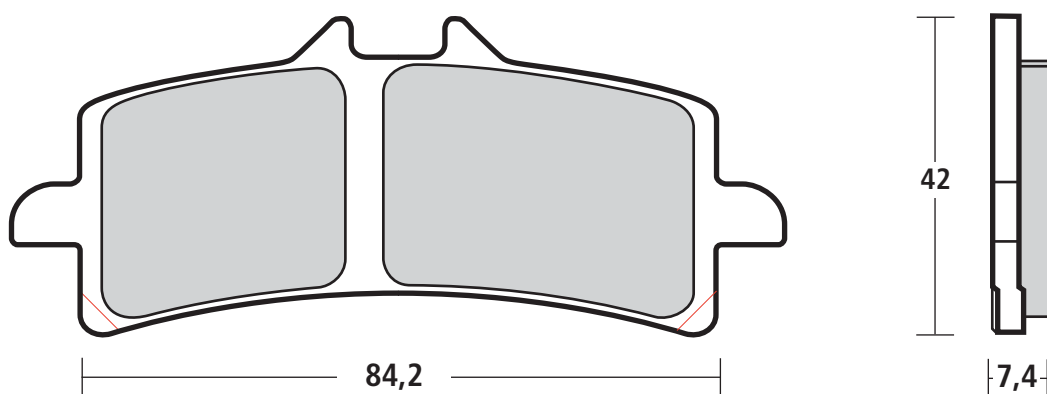
Bolt / Bocchettone
06222838

Bleeding screw cover / Cappuccio spurgo
05150210



Technical Characteristics • Caratteristiche Tecniche

| | |
|---|-------------------------------------|
| Pistons / Pistoni Ø | 32 mm. |
| Construction Material / Materiale | CNC Aluminium / Alluminio CNC |
| Finishing / Finissaggio | Hard Anodizing / Anodizzazione Dura |
| Weight (without pads) / Massa (senza pastiglie) | 735 gr. |
| Brake Fluid / Fluido Freni | DOT 4 |
| Hardware / Viteria | Steel / Acciaio |
| Pistons / Pistoni | Aluminum / Alluminio |
| Center to Center / Interasse | 100 mm. |
| Offset / Offset | 30 mm. |



Pads • Pastiglie

| Code | Performance | Life |
|-----------|-------------|------|
| 107988210 | • | • |
| Genuine | | |
| 07BB3093 | + | • |
| Genuine | | |

Pads • Pastiglie

| Code | Performance | Life |
|--------------|-------------|------|
| 07BB30RC | + | • |
| RC Compound | | |
| M497Z04 | ++ | + |
| Z04 Compound | | |

108 mm Radial CNC Caliper Kit . 484 Code 220B47320



Spare Parts • Ricambi

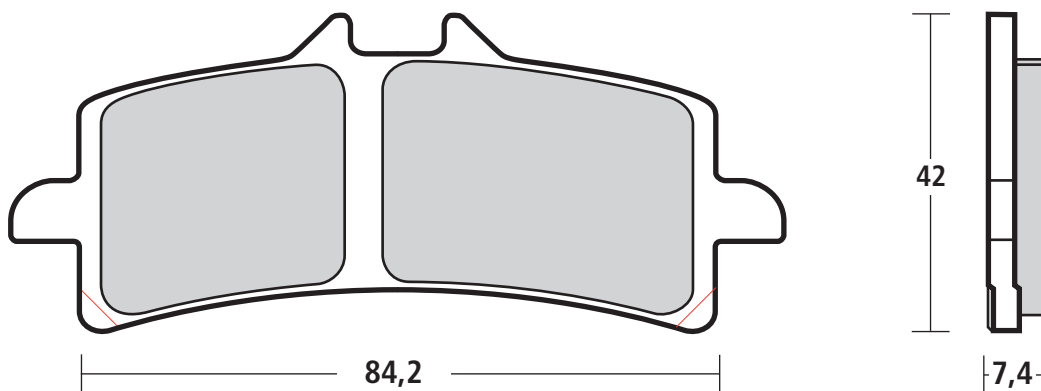
Spring / Molletta
120225579

Bleeding screw / Vite spurgo
05281228

Bleeding screw cover / Cappuccio spurgo
05150210

Technical Characteristics • Caratteristiche Tecniche

| | |
|---|-------------------------------------|
| Pistons / Pistoni Ø | 32 mm. |
| Construction Material / Materiale | CNC Aluminium / Alluminio CNC |
| Finishing / Finissaggio | Hard Anodizing / Anodizzazione Dura |
| Weight (without pads) / Massa (senza pastiglie) | 720 gr. |
| Hardware / Viteria | Steel / Acciaio |
| Pistons / Pistoni | Aluminium / Alluminio |
| Center to Center / Interasse | 108 mm. |
| Offset / Offset | 22,5 mm. |



Pads • Pastiglie

| Code | Performance | Life |
|-----------|-------------|------|
| 107988210 | • | • |
| Genuine | | |
| 07BB3093 | + | • |
| Genuine | | |

Pads • Pastiglie

| Code | Performance | Life |
|--------------|-------------|------|
| 07BB30RC | + | • |
| RC Compound | | |
| M497Z04 | ++ | + |
| Z04 Compound | | |

"THE GROOVE" Disc



Technical Characteristics • Caratteristiche Tecniche

| | |
|--|---|
| <i>Mounting / Fissaggio</i> | <i>As Original / Come Originale</i> |
| <i>Rotor Diameter / Diametro disco</i> | <i>As Original / Come Originale</i> |
| <i>Rotor Height / Altezza fascia</i> | 34 mm. |
| <i>Rotor Thickness / Spessore fascia</i> | 5,5 mm. |
| <i>Rotor Material / Materiale fascia</i> | <i>Stainless Steel / Acciaio Inox</i> |
| <i>Bell Material / Materiale campana</i> | <i>CNC Aluminium Alloy / Lega Alluminio CNC</i> |
| <i>Bushing Number / n° Nottolini</i> | 10 |

“The Groove” discs application list

| Model | Year | | Disc ø | “Groove” Discs Kit P/N |
|--|------|------|-----------|---------------------------|
| | From | To | | |
| APRILIA | | | | |
| Tuono (with axial and radial mount calipers) | 2002 | 2005 | 320 | 208.B470.10 |
| Tuono | 2006 | 2006 | 320 | 208.B470.10 |
| Tuono R | 2006 | 2010 | 320 | 208.B470.10 |
| Tuono V4 R | 2011 | 2011 | 320 | 208.B470.10 |
| Shiver 750 | 2007 | 2010 | 320 | 208.B470.10 |
| BENELLI | | | | |
| TNT Sport | 2005 | 2008 | 320 | 208.B470.10 |
| TNT Cafè | 2005 | 2008 | 320 | 208.B470.10 |
| TNT Titanium | 2005 | 2008 | 320 | 208.B470.10 |
| TNT R160 | 2011 | 2011 | 320 | 208.B470.10 |
| DUCATI | | | | |
| Monster S4R S | 2003 | 2005 | 320 | 208.B470.11 |
| Monster 696 | 2008 | 2010 | 320 | 208.B470.11 |
| Monster 1100 | 2009 | 2010 | 320 | 208.B470.36 |
| Monster 1100 S | 2009 | 2010 | 320 | 208.B470.11 |
| Sport / GT | 2009 | 2009 | 320 | 208.B470.10 |
| Hypermotard 796 | 2010 | 2011 | 320 | 208.B470.36 |
| Hypermotard 1100 | 2007 | 2008 | 320 | 208.B470.36 |
| Hypermotard 1100 S | 2009 | 2010 | 320 | 208.B470.36 |
| Hypermotard 1100 evo SP | 2010 | 2011 | 320 | 208.B470.36 |
| Streetfighter / Streetfighter S | 2009 | 2011 | 320 | 208.B470.11 |
| Multistrada 1200 | 2011 | 2011 | 320 | 208.B470.36 |
| Diavel 1200 | 2011 | 2011 | 320 | 208.B470.36 |
| KAWASAKI | | | | |
| ER-6N (650cc) | 2006 | 2010 | 300 | 208.B470.14 |
| Z 750 | 2007 | 2011 | 300 | 208.B470.14 |
| Z 750 R | 2011 | 2011 | 300 | 208.B470.14 |
| Z 1000 | 2007 | 2011 | 300 | 208.B470.14 |
| Z 1000 SX | 2011 | 2011 | 300 | 208.B470.14 |
| KTM | | | | |
| Supermoto 950 | 2005 | 2008 | 320 | 208.B470.10 |
| LC8 SM | 2009 | 2009 | 320 | 208.B470.10 |
| LC8 SD | 2009 | 2009 | 320 | 208.B470.10 |
| LC8 SD-R | 2009 | 2009 | 320 | 208.B470.10 |
| LC8 SM-T | 2009 | 2009 | 320 | 208.B470.10 |
| LC8 SM-R | 2009 | 2009 | 320 | 208.B470.10 |
| 990 Superduke | 2005 | 2010 | 320 | 208.B470.10 |
| SUZUKI | | | | |
| B-King | 2008 | 2011 | 310 | 208.B470.35 |
| TRIUMPH | | | | |
| Speed Triple | 2008 | 2010 | 320 | 208.B470.37 |
| Speed Triple | 2011 | 2011 | 320 | 208.B470.37 |
| YAMAHA | | | | |
| FZ1 | 2006 | 2011 | 320 | 208.B470.21 |
| V- Max | 2009 | 2011 | 320 | 208.B470.21 |

Cafe' Racer Master Cylinders



Note

Brake MIC 19 RCS code 110A26310
 Technical Characteristics see page 42
 Brake MIC 19 x 20 code 10476060
 Technical Characteristics see page 46
 Clutch MIC 19 RCS code 110A26370
 Technical Characteristics see page 47
 Clutch MIC 16 RCS code 110A26350
 Technical Characteristics see page 47

Nota

Pompa Freno 19 RCS codice 110A26310
 Caratteristiche Tecniche vedi pagina 42
 Pompa Freno 19 x 20 codice 10476060
 Caratteristiche Tecniche vedi pagina 46
 Pompa Frizione 19 RCS codice 110A26370
 Caratteristiche Tecniche vedi pagina 47
 Pompa Frizione 16 RCS codice 110A26350
 Caratteristiche Tecniche vedi pagina 47

Custom



SECTION

4

Axial CNC . 484 Caliper Kit Code 120B81469/79 "Logo Nero"

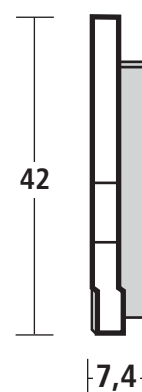
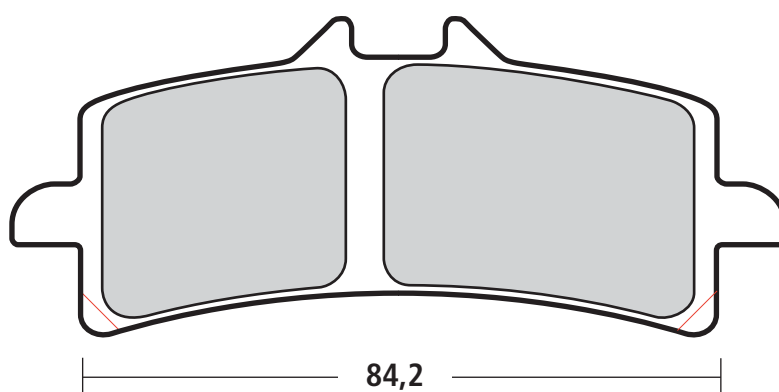


Spare Parts • Ricambi

| | |
|------------------------------|-----------|
| Spring / Molletta | 120225579 |
| Bleeding screw / Vite spurgo | 05144011 |
| Bolt / Bocchettone | 06222838 |

Technical Characteristics • Caratteristiche Tecniche

| | |
|---|-------------------------------------|
| Pistons / Pistoni Ø | 32 mm. |
| Construction Material / Materiale | CNC Aluminium / Alluminio CNC |
| Finishing / Finissaggio | Hard Anodizing / Anodizzazione Dura |
| Weight (without pads) / Massa (senza pastiglie) | 845 gr. |
| Brake Fluid / Fluido Freni | DOT 4 |
| Hardware / Viteria | Steel / Acciaio |
| Pistons / Pistoni | Aluminum / Alluminio |
| Center to Center / Interasse | 69,1 mm. - 2,72" |
| Offset / Offset | 34,1 mm. |



Pads • Pastiglie

| Code | Performance | Life |
|-----------|-------------|------|
| 107988210 | • | • |
| Genuine | | |
| 07BB3093 | + | • |
| Genuine | | |

Axial CNC . 484 Caliper Kit Code 120B81471/81 "Logo Puro"



Spare Parts • Ricambi

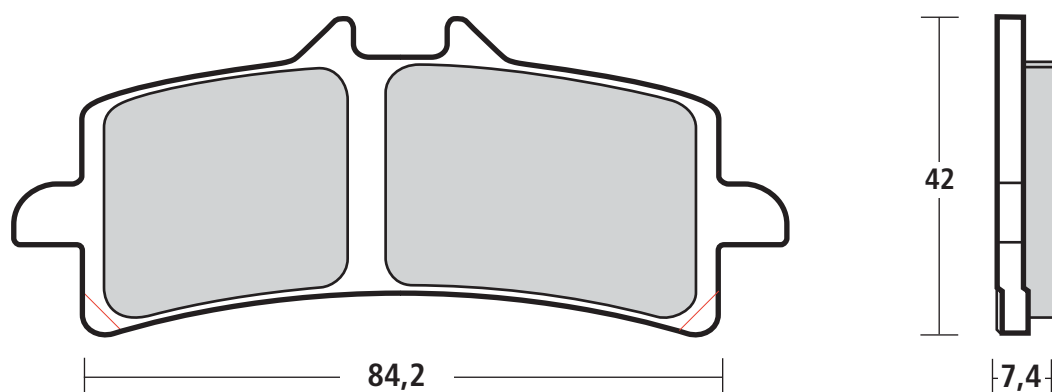
Spring / Molletta
120225579

Bleeding screw / Vite spurgo
05144011

Bolt / Bocchettone
06222838

Technical Characteristics • Caratteristiche Tecniche

| | |
|---|-------------------------------------|
| Pistons / Pistoni Ø | 32 mm. |
| Construction Material / Materiale | CNC Aluminium / Alluminio CNC |
| Finishing / Finissaggio | Hard Anodizing / Anodizzazione Dura |
| Weight (without pads) / Massa (senza pastiglie) | 845 gr. |
| Brake Fluid / Fluido Freni | DOT 4 |
| Hardware / Viteria | Steel / Acciaio |
| Pistons / Pistoni | Aluminum / Alluminio |
| Center to Center / Interasse | 69,1 mm. - 2,72" |
| Offset / Offset | 34,1 mm. |



Pads • Pastiglie

| Code | Performance | Life |
|----------------------|-------------|------|
| 107988210 Genuine | • | • |
| 07BB3093 Genuine | + | • |

Radial RCS Brake M/C Handlebar 1" Code 110A89710



4

Technical Characteristics • Caratteristiche Tecniche

| | |
|---|--|
| <i>Pistons / Pistoni Ø</i> | 19 mm. |
| <i>Distance center to center / Interesse Leva</i> | 18 / 20 mm. (adjustable) |
| <i>Construction Material / Materiale</i> | <i>Forged Aluminium / Alluminio Forgiato</i> |
| <i>Finishing / Finissaggio</i> | <i>Hard Anodizing / Anodizzazione Dura</i> |
| <i>Weight / Massa</i> | 350 gr. |
| <i>Brake Fluid / Fluido Freni</i> | DOT 4 |
| <i>Handlebar / Manubrio Ø</i> | 1" |

Spare Parts • Ricambi

| | |
|---|---|
| <i>Lever (complete) for 19 RCS / Leva completa per 19 RCS</i> 110A26399 | <i>Micro-switch / Micro interruttore</i> 110467195 |
| <i>Half lever for 19 RCS / Terminale leva per 19 RCS</i> 110A26398 | <i>Lever adj. / Regolazione leva</i> 110A26377 |
| <i>CNC Handlebar clamp / Cavallotto CNC</i> 110A89787 | <i>Rubber cup and sticker (flag) /</i> Tappo in gomma e adesivo (bandierina) 110A26389 |
| <i>Bleeding screw / Vite spurgo</i> 05338763 | <i>Bleeding screw cover / Cappuccio spurgo</i> 05150210 |
| <i>Lever pivot / Perno leva</i> 110459291 | |
| <i>Oil reservoir connection / Raccordo serbatoio</i> 10312720 | |

**Radial RCS
Clutch M/C
Handlebar 1"
Code 110A89770**



Technical Characteristics • Caratteristiche Tecniche

| | |
|---|--|
| <i>Pistons / Pistoni Ø</i> | 19 mm. |
| <i>Distance center to center (A) / Interesse Leva (A)</i> | 18 / 20 mm. |
| <i>Construction Material / Materiale</i> | <i>Forged Aluminium / Alluminio Forgiato</i> |
| <i>Finishing / Finissaggio</i> | <i>Hard Anodizing / Anodizzazione Dura</i> |
| <i>Weight / Massa</i> | 350 gr. |
| <i>Brake Fluid / Fluido Freni</i> | DOT 4 |
| <i>Handlebar / Manubrio Ø</i> | 1" |

4

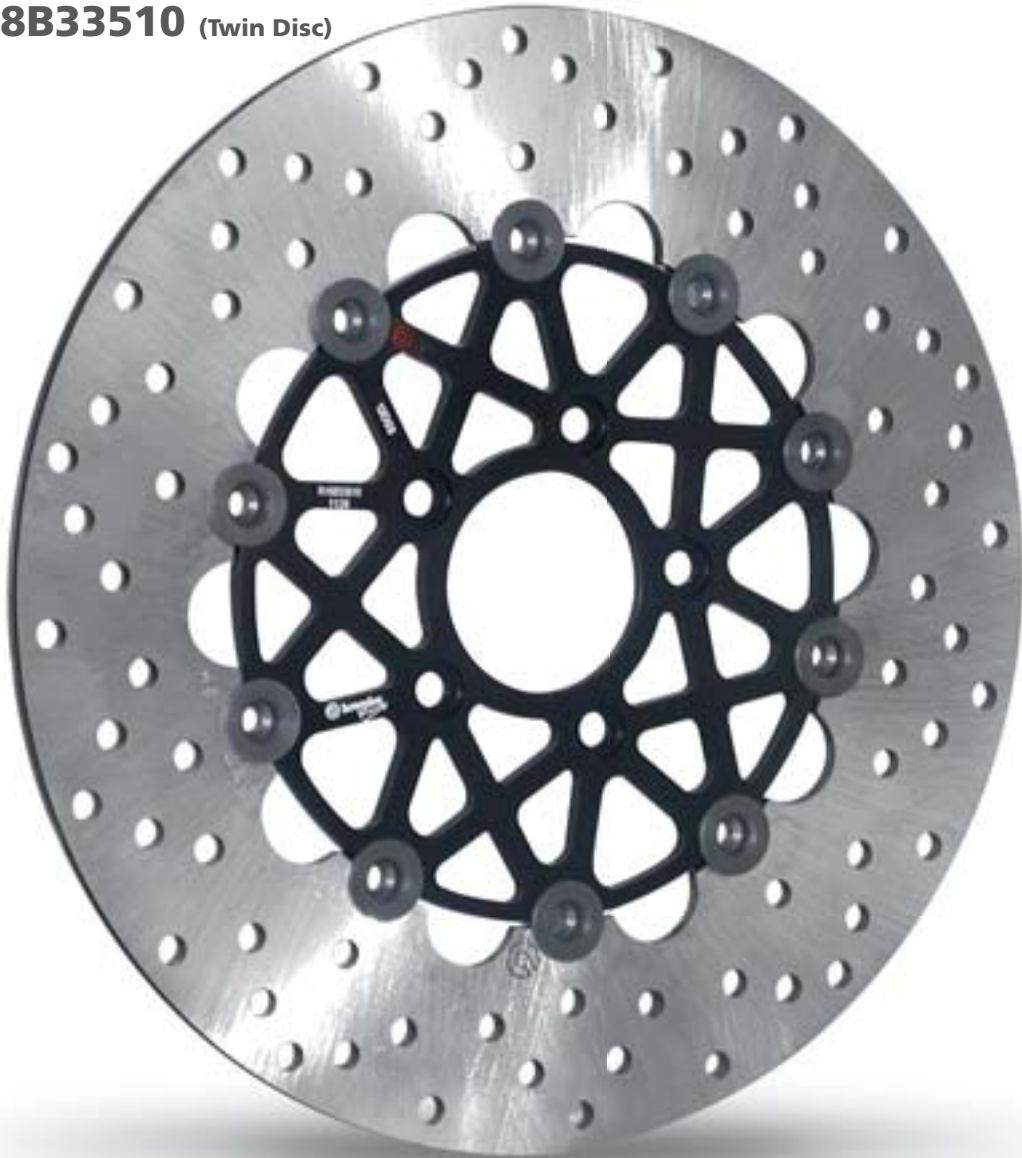
Spare Parts • Ricambi

| | |
|---|---|
| <i>Lever (complete) / Leva completa</i> 110A26383 | <i>Oil reservoir connection / Raccordo serbatoio</i> 10312720 |
| <i>Half lever / Terminale leva</i> 110A26398 | <i>Lever adj. / Regolazione leva</i> 110A26377 |
| <i>CNC Handlebar clamp / Cavallotto CNC</i> 110A89787 | <i>Rubber cup and sticker (flag) /</i> Tappo in gomma e adesivo (bandierina) 110A26389 |
| <i>Bleeding screw / Vite spurgo</i> 05338763 | <i>Bleeding screw cover / Cappuccio spurgo</i> 05150210 |
| <i>Lever pivot / Perno leva</i> 110459291 | |

CUSTOM DISC

Code 108B33510 (Single Disc)

Code 208B33510 (Twin Disc)



Technical Characteristics • Caratteristiche Tecniche

| | |
|---|----------------------------------|
| <i>Disc Diameter / Diametro Disco</i> | 292 mm. |
| <i>Rotor Height / Altezza Fascia</i> | 46 mm. |
| <i>Rotor Thickness / Spessore Fascia</i> | 5 mm. |
| <i>Rotor Material / Materiale Fascia</i> | Stainless Steel / Acciaio Inox |
| <i>Bell Material / Materiale Campana</i> | Aluminium Alloy / Lega Alluminio |
| <i>Connection Number / Numero Connessioni</i> | 10 |